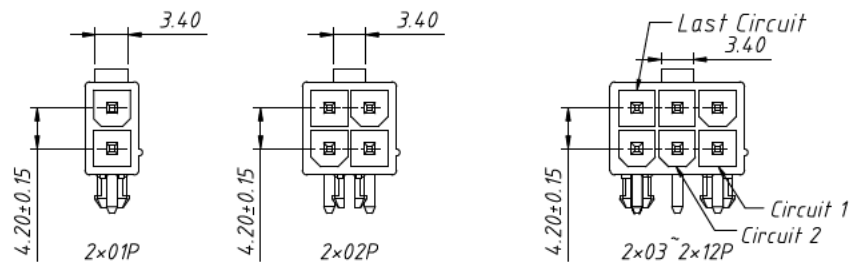
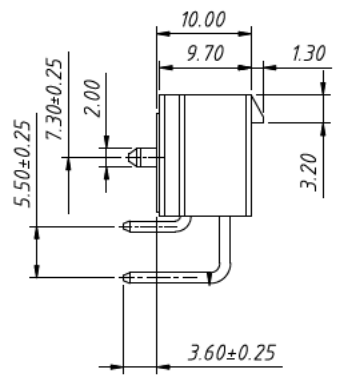
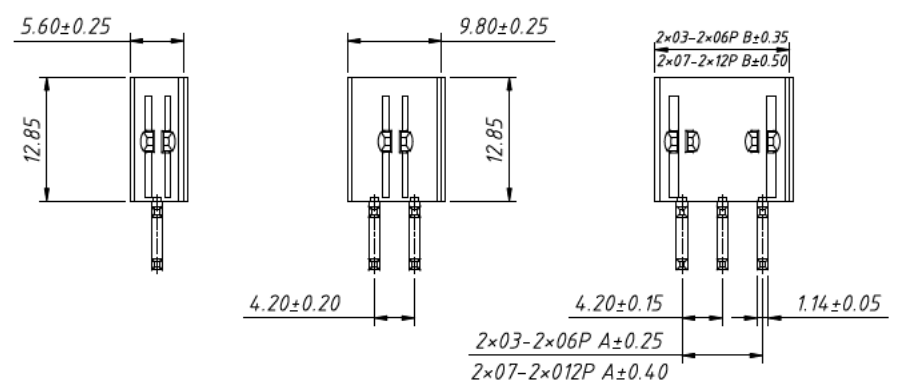


| | | | |
|------|-------------|-------|---------|
| 5 | 6 | 7 | 8 |
| Rev. | DESCRIPTION | DRAWN | CHECKED |
| A | NEW RELEASE | | ~ |
| | | | |
| | | | |

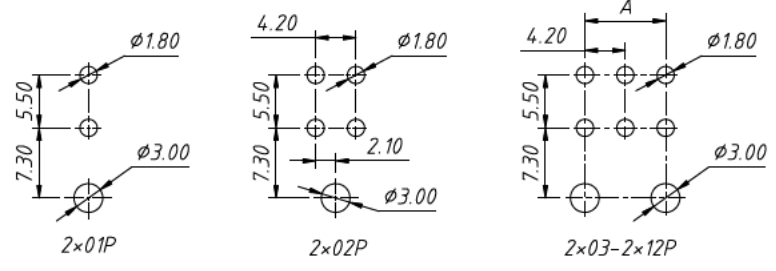
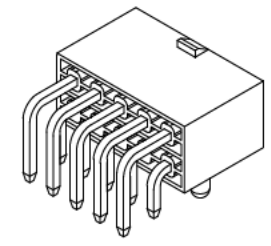


| Pin | Dimensions(mm) | |
|------|----------------|-------|
| | A | B |
| 2x01 | --- | 5.60 |
| 2x02 | 4.20 | 9.80 |
| 2x03 | 8.40 | 14.00 |
| 2x04 | 12.60 | 18.20 |
| 2x05 | 16.80 | 22.40 |
| 2x06 | 21.00 | 26.60 |
| 2x07 | 25.20 | 30.80 |
| 2x08 | 29.40 | 35.00 |
| 2x09 | 33.60 | 39.20 |
| 2x10 | 37.80 | 43.40 |
| 2x11 | 42.00 | 47.60 |
| 2x12 | 46.20 | 51.80 |




Material:
Housing: PA66, UL 94 V-2
Contacts: Brass
Finish: Tin-plated or Nickel

Electrical Characteristics:
Rated Current: 7.0A AC, DC
Voltage rating: 600V AC, DC
Temperature range: -25°C ~ +85°C
Insulator Resistance: 1000MΩ Min
Withstanding Voltage: 1500V AC/minute
Contact Resistance: 20mΩ Max



PCB Layout: Component Side
Recommended PCB Thickness 1.78MAX

| | | | |
|-------------------|-------------------|---|----------------------|
| GENERAL TOLERANCE | ANGEL TOLERANCE | PROJECTION | TITLE |
| .X +/-15 | .X +/-3 | UNITS | MM |
| .X +/-10 | .X +/-2 | SHEET SIZE | A4 |
| .XX +/-5 | .XX +/-1 | | |
| DRAWING TYPE | CUSTOMER |  | |
| SCALE | 31:1 SHEET 1 OF 1 | | |
| DRAWING NO. | | | |
| | | PART NO. | SM C03 4505 XX DRB W |
| | | | XX: Number of poles |